

XC\XA摇臂系列

SWING TYPE ROBOT: XC, XA

快速 精密 穩定 安全

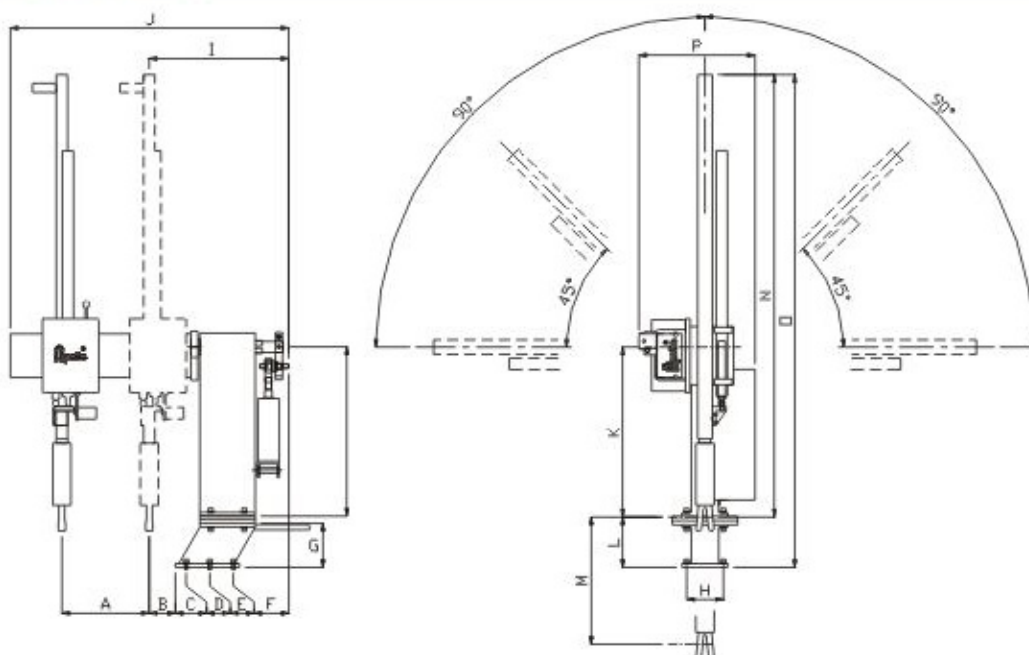


XC\XA摇臂系列

- 對象成型機，80 - 500噸，針對水口取出而設計
- 高速取出機械臂，全機採用優質配件，穩定耐用（減少因維修導致的生產損失）
- 取出動作快捷穩定，0.7秒(取出)及2.2秒(全周期)
- 油壓緩衝應用使每個動作均能既快速又穩定
- 擺動角度與上落模之轉動座調校極為方便穩固
- 手提式控制器簡單易用，備有故障提示方便找出問題所在
- 附加系統：手指旋轉氣動組，真空吸盤組

Swing Type Robot: XC, XA

- Applicable molding machine size: 80-500 ton
- High performance take out robot utilize quality components to achieve stability which leads to productivity.
- Swift take out action 0.7 sec (take out) and 2.2 sec (dry cycle).
- Shock absorber on each action end to ensure high speed and stable motion.
- Easy changing of swing angle and swiveling of robot body.
- Easy to use handheld control pendent with alarm code display.
- Option: 1 Rotary wrist 2. Vacuum system 3. Slow descend on swing out position. 4. Conveyor signal 5. Special Color



Dimensions 尺寸 (mm)

Model	A	B	C	D	E	F	G	H	I	J	K	L	M	N	O	P
450	75	70	24	65	65	160	113	105	360	810	465	138	450	850	988	320
600													600	1000	1138	
800	150												800	1462	1600	
1000													1000	1662	1800	

Specifications

	XC450	XC600	XA800	XA1000
Molding machine size (ton) 涂料机	under 80	80-200	150-300	250-400
Vertical Stroke (mm) 垂直行程	450	600	800	1000
Strip Stroke (mm) 引拔行程	75	75	150	150
Swing angle (°) 摆动角度	50~90			
Min. take-out time (sec) 取出时间	0.7	0.8	1	1.2
Dry cycle time (sec) 分用期	3	3.2	3.5	4
Air consumption (Nl/cycle) 耗风量	10	12	15	18
Working air pressure (kgf/cm ²) 使用气压	5~6 (max. 8)			
Maximum payload (kg) 最大负载	2 (incl. Chuck weight) 夹具			
Power voltage (v) 电源	AC 220V 50/60Hz (110V)			
Power consumption (w) 耗电量	1A max. (2A)			